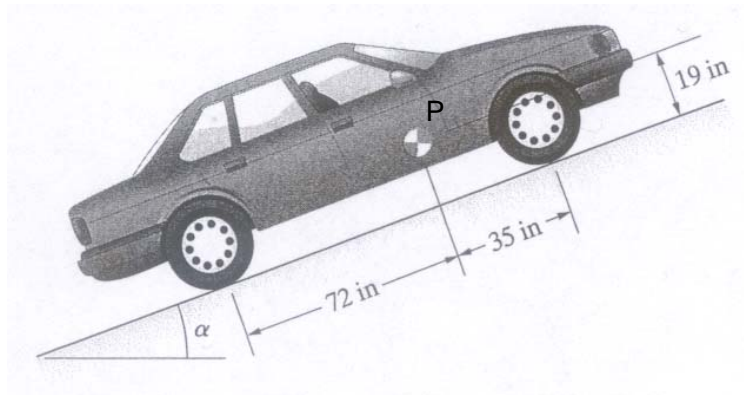


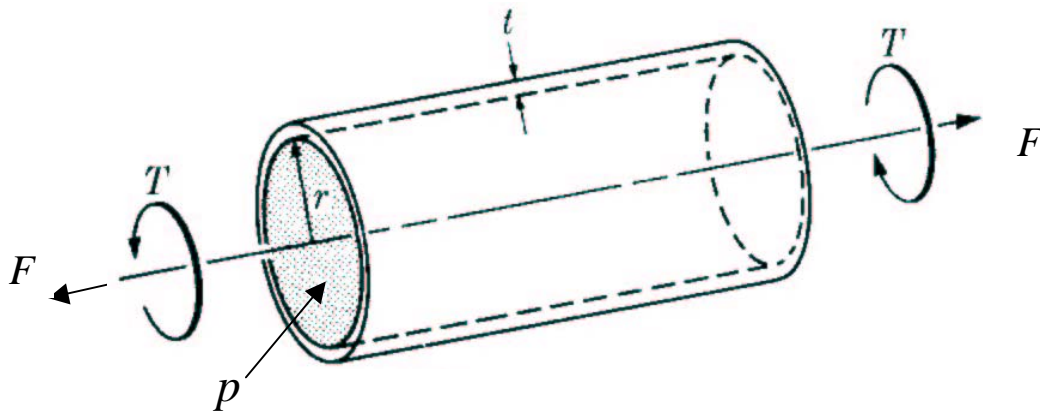
1. The center of gravity of a car is at P. The rolling friction between the road and any wheel without engine power is negligible.
 - i). If the coefficient of static sliding friction between the car's tires and the road is $\mu_s = 0.5$, determine the steepest grade (the largest value of the angle α) the car can drive up at constant speed, if the car has
 - (a) rear-wheel drive,
 - (b) front-wheel drive, and
 - (c) four-wheel drive.
 - ii). If the coefficient of static sliding friction is infinite, determine the steepest grade the car can drive up at constant speed.



2. A copper tube (assume isotropic linear elasticity with $E = 130 \text{ GPa}$, $\nu = 0.34$) has an internal diameter of 500 mm and a wall thickness of 30 mm. The yield strength of copper is 70 MPa. It is subjected to complex loading consisting of:

- an internal pressure p of 5 MPa
- a torque T of 250 kN-m
- an axial force F of 1 MN

For the purpose of this analysis, assume that internal pressure does not contribute to axial stress in the tube.



Within the section of interest, parts (a)-(c) below pertain to the given loading conditions:

- Determine the location and value of the *maximum principal stress* σ_{\max}
- Determine the location and value of the *minimum principal stress* σ_{\min}
- Determine the factor of safety on yielding for the tube based on the von Mises and Tresca yield criteria

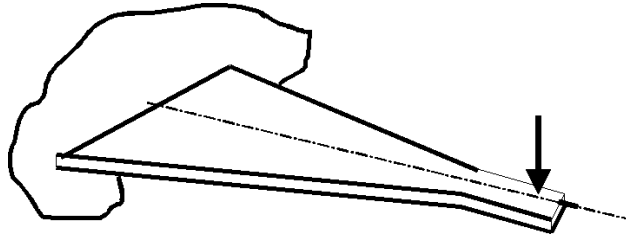
If the loading (T , F , p) increases in a proportional manner such that $p = \lambda_1 F = \lambda_2 T$ where λ_1, λ_2 are constants, starting with the initial values specified above for (T , F , p),

- Determine the value of (T , F , p) at which initial yielding will occur based on the von Mises and Tresca criteria for this particular state of stress
- Using the von Mises flow rule (yield surface), derive the ratio of plastic strain component in the circumferential direction to the component in the axial direction as a function of F , p , T and tube dimensions with increasing load for the given proportional loading conditions.

If no torque is applied, and the values of F and p are not specified,

- Is there some relation between F and p such that yielding would never occur according to the Tresca criterion? Explain.

3. In this problem you will analyze and design a cantilever beam that has a **constant stress** under an end point load. The general shape of the beam is provided below (it is tapered in the plane perpendicular to the cantilever loading direction). The material is a 7075-T6 aluminum alloy with a yield modulus of $E = 70$ GPa, a yield strength of 500 MPa, and a density of 2.8 g/cm^3 . You may use conventional beam theory, but please comment on the assumptions and limitations of your analysis.



- (a) Assuming a 1 mm thick beam material, and a 10 mm length from the base to the loading point, calculate the base width and tip width to maintain a constant stress below the yield strength of the aluminum for a cantilever load of 100 N.
- (b) Please calculate the weight of this beam.
- (c) If you were unable to taper the beam, and had to use a rectangular cross section to design a beam that would not yield with a 1 mm thickness (same length), how much heavier (%) would such a rectangular beam be, compared to the tapered beam.

4. Please answer each of the following questions related to Fracture Mechanics:

- (i) You have a piece of mild steel that has a plane strain fracture toughness of $200\text{ksi-in}^{1/2}$. The yield strength is 180 ksi. The steel has a rectangular cross section that measures 2 inches by 4 inches. At the center of a 4 inch face there is a surface flaw that is thumb-nail shaped. $2a = 0.5$ inches. The geometric correction factor is 1.1. At what applied tensile load would you expect the piece of steel to fail?
- (ii) If you had the same material but instead of the part being 2 inches thick, it was only 0.05 inches thick, what do you think would change in the above stated problem? How would it change?
- (iii) If the specimen in (i) above was very slowly loaded and submersed in salt water, which parameter above would change and how?